

**Display section:**

PPI image by TFT liquid crystal color display

**Frequency:**

KCS-3000 C: 24kHz  
 KCS-3000 D: 28kHz  
 KCS-3500 G: 43kHz  
 KCS-3500 H: 50kHz

**Display resolution:**

SXGA(1280×1024)

**Display colors:**

Sonar image —32-color display  
 Character —4-color display  
 Marker —2-color display

**Display modes:**

Head-up, north-up, and true motion (\*External signals are necessary)

**Additional modes:**

off-center (enlarged 1.5 times in a desired direction)

**Simultaneous screen modes:**

Full screen, multiple screen, Audio image, fish finder image

**Ranges:**

Any 10 ranges can be selected out of 150,200, 250, 300, 400, 500, 600, 700, 800, 900, 1000, 1200, 1400, 1500, 1600, 1800, 2000, 2500, 3000, 4000, and 5000.

The range is enlarged 1.5 times for off-center.

**Receiving method :**

Super heterodyne method, real-time beam method, and forming method

**Transmission method :**

OMNI transmission

**Audio frequency:**

800Hz

**Tilt angle range:**

3° upward-60° degrees downward

**Beam (at -3dB):**

Transmission-Horizontal 360° × 10°  
 Receiving-Horizontal 14° × 12°

**Additional functions:**

Interference elimination, signal processing, clutter, TVG, AGC, memory card, and auto tilt angle functions

**Display marks:**

Own boat mark, wake mark, cross-line cursor, event mark (max.10 event marks),north mark, direction mark, cast-net mark, tidal current mark and other marks. (\*Some marks are displayed only when external signals are input.)

**External signal input:**

NMEA0183 Four inputs available with NMEA 0183, while Kaijo's devices are connected for 2 inputs.  
 NMEA0183 Own boat position, boat speed, boat speed bearing, seabed depth, sea water temperature, and bow bearing

**Hoist unit stroke:(KCS-5200)**

LL=1350mm

**Hoist unit stroke:(KCS-5500)**

LL=1000mm

**Power supply: (KCS-5200)**

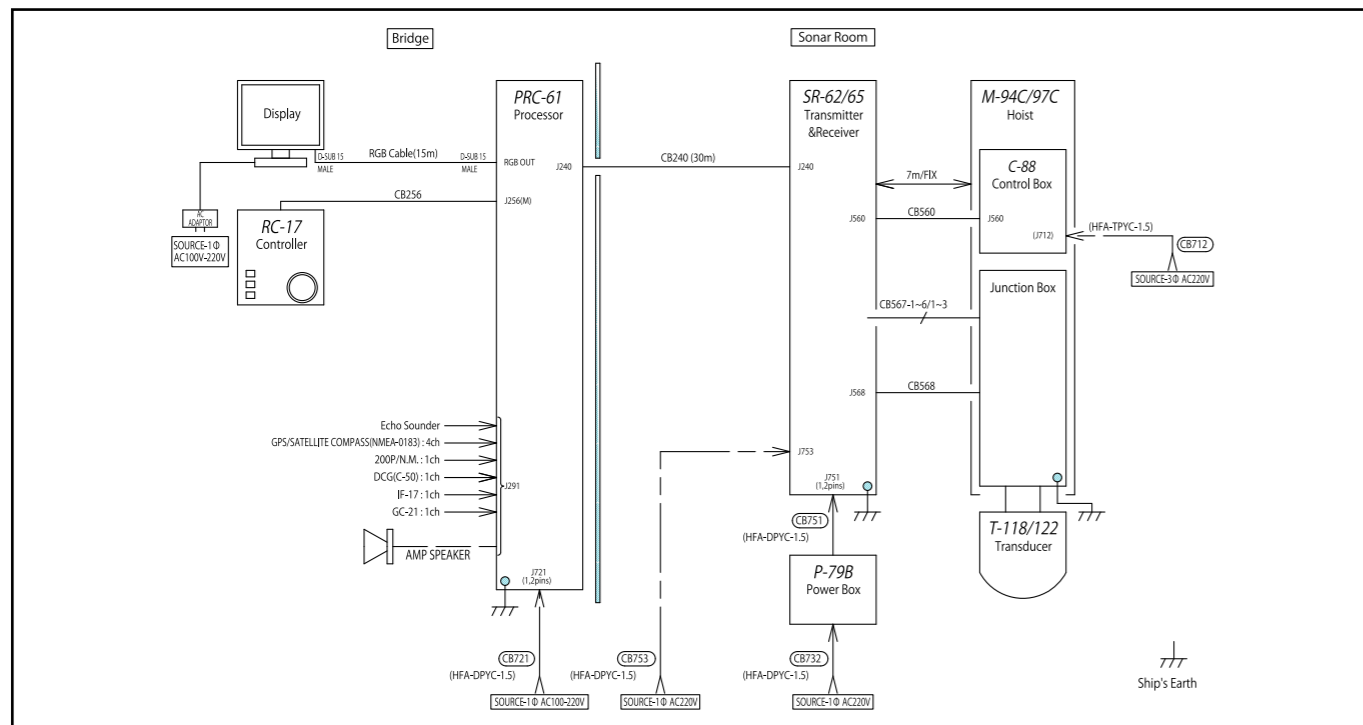
Processing Single-phase 100~200VAC, 50/60 Hz, and 400VA  
 Receiving Single-phase 220VAC, 50/60 Hz, and 600VA  
 Sending Single-phase 220VAC, 50/60Hz, and 3000VA  
 Hoist unit 3-phase 220VAC, 50/60Hz, and 1500VA

**Power supply: (KCS-5500)**

Processing Single-phase 100~200VAC, 50/60 Hz, and 400VA  
 Receiving Single-phase 220VAC, 50/60 Hz, and 600VA  
 Sending Single-phase 220VAC, 50/60Hz, and 3000VA  
 Hoist unit 3-phase 220VAC, 50/60Hz, and 750VA

**Measurement(W×H×D) & Weight:**

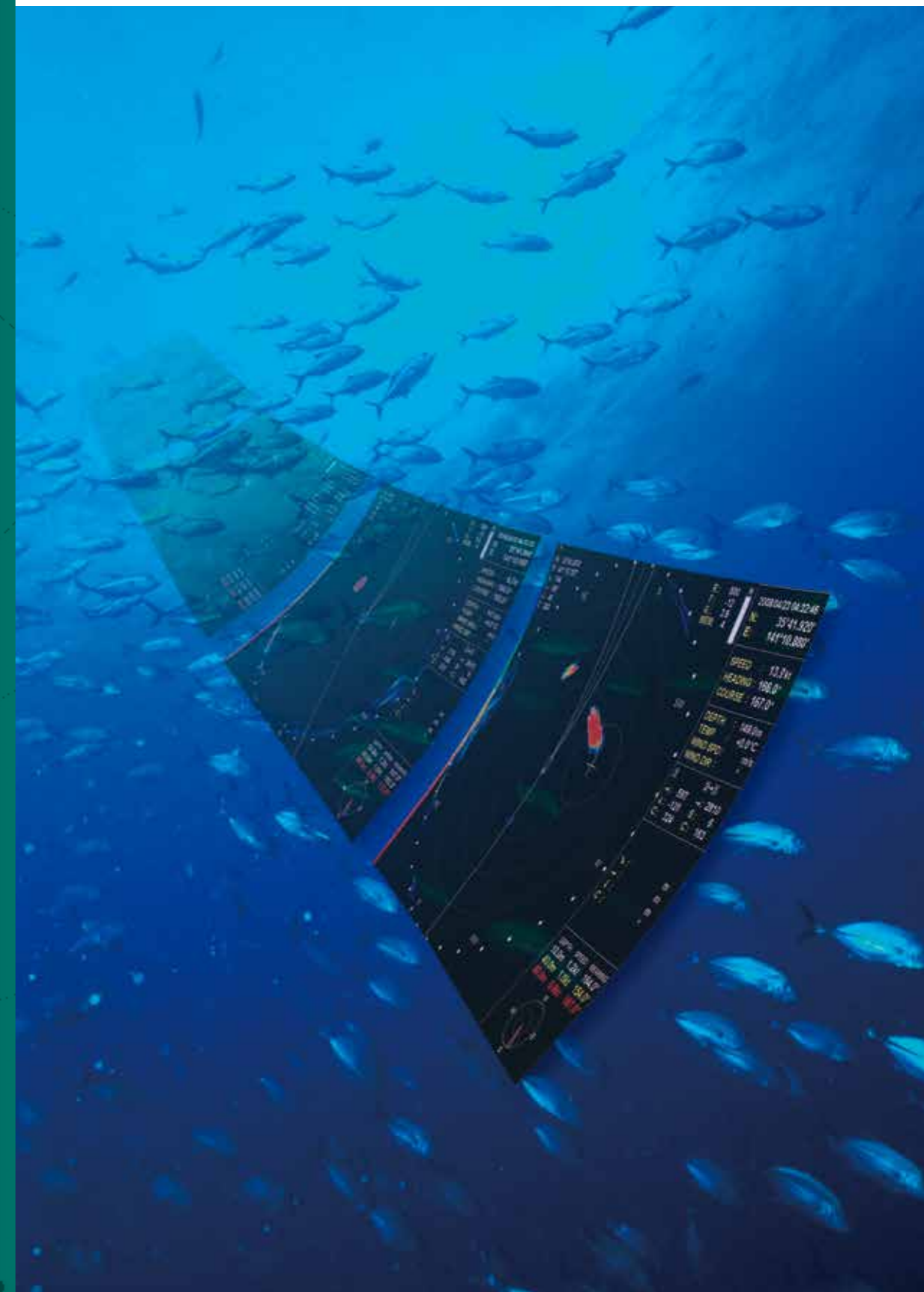
I-133 LCD	460mm×430mm×345mm	24Kg
RC-17 Remote Controller	246mm×158mm×46mm	1Kg
PRC-61 Processor	280mm×450mm×388mm	21Kg
SR-62 TX/RX Unit (KCS3000)	600mm×697mm×450mm	97Kg
SR-65 TX/RX Unit (KCS3500)	600mm×697mm×450mm	97Kg
P-79B Power Box	215mm×335mm×153mm	12Kg
M-94C-LL Hoist (KCS3000) (With T-118 Transducer)	690mm×3510mm×714mm	505Kg
M-97C-LL Hoist (KCS3500) (With T-122 Transducer)	640mm×2880mm×530mm	280Kg



**SAFETY PRECAUTION : Please be sure to read the Instruction Manual before operating**

●Specifications are subject to change without prior notice for improvement.

Scanning Sonar 5000 series  
High Frequency / Medium Frequency  
**KCS-5200/5500**



# KCS-5200 / KCS-5500

Low frequency enables dramatic longer range detection Middle frequency enables various kinds of fish detection and distinction from bait

## Even a compact size brings satisfaction to your fishing!

Low and Medium frequency with new functions enables greater detection and cost performances.

- ➔ One touch memory keys to recall suitable settings for your fishing style and conditions.
- ➔ High precise LCD monitor and easy handling remote controller provides luxury in bridge.
- ➔ Hull unit with guide ring offers safety and toughness.
- ➔ Integrated transmitter and receiver unit offers space saving and easy mounting.
- ➔ Full screen, multi, audio, fish finder screen; Various kinds of display mode.
- ➔ High maintainability and sturdy transducer with a unique dorm-structure.

### Compact and cost-effective sonar.

The transmitter and receiver units have been integrated into one as a TX/RX unit and have been down-sized for cost-effective and space-saving purposes. The high quality and reliability hull unit with a pressure release guide ring is compact; it is the smallest type with its total length being less than 2 m, and can be used as a 2nd supplementary sonar system in large fishing vessels as well as in middle and small sized fishing vessels.

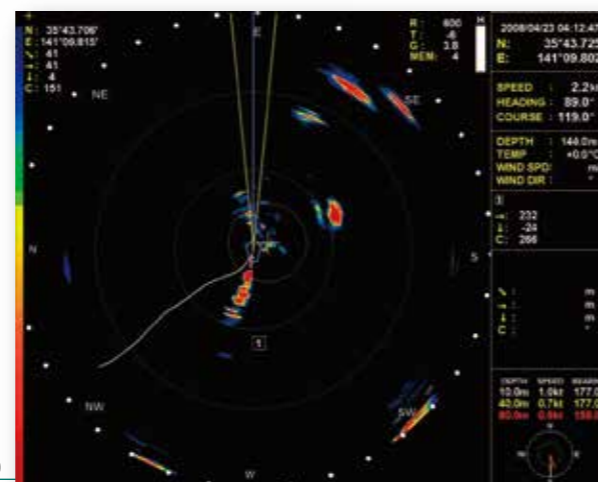
#### Hull unit models

Unit : mm,kg

Sonar System	Hoist Type	Memo	Stroke	Total Length	Skirt	Project	Weight
KCS5200	TYPE M-94C-1	LL	1350	3510	1650	1300	505
		L	1000	2810	1300	950	475
		M	800	2410	1100	750	445
KCS3500	TYPE M-97C	LL	1000	2880	1400	950	280
		L	600	2350	1300	550	200

### Performances as if super sonar.

The low frequency sonar (KCS-3000) provides a greater detection range the same as our super sonar and the middle frequency sonar (KCS-3500) provides a high resolution like that of our high frequency sonars. These two models are available depending on your fishing style, fishing ground and target fish.

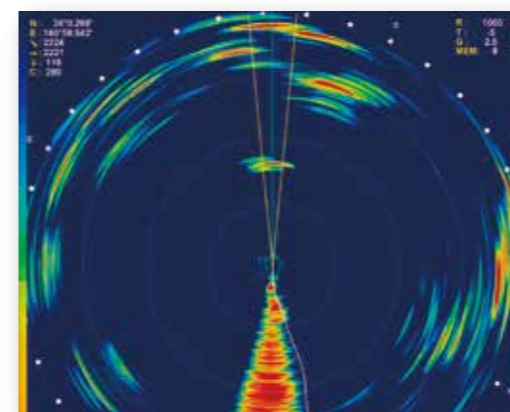


Fish detection (sample image)

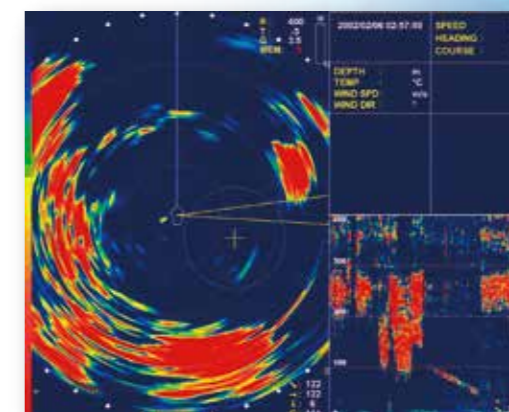
### Multiple display mode.

Horizontal screen can be chosen from display mode of normal, full, and multi screen.

By using off-center function of normal and multi-screen, own boat direction can move all around. In others, following selections are available: (1) fish-finder screen showing fish finder signal on the side of horizontal screen and (2) audio screen showing sonar picture of audio direction in time series.



Full screen mode



Audio screen display

### Compact and easy-to-use remote controller.

Your favorite maximum 10 different sonar setting patterns can be memorized in the <sonar memory> function, which enables you to recall suitable sonar settings for different fishing grounds and fish target easily with one touch finger operation. The standard normal sonar setting is already memorized in the 11th memory as the default setting which is protected from over-writing, and therefore the standard normal setting can be recalled anytime whenever needed. Five preset keys and a maximum of 8 screen memory keys are for frequent use menu registration.



RC-17 remote controller

### Reliable and tough transducer.

A pressure-release guide ring introduced for all of our hull unit as standard option reduces swaying and shaking of the transducer. Our uniquely designed enclosed transducer projecting out into the sea water ensures easy maintenance and toughness.